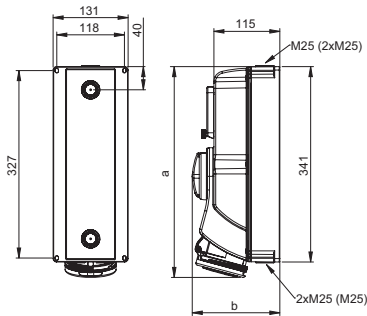


# Switched interlocked sockets – with DIN-rail

mechanical interlock, lockable by padlock



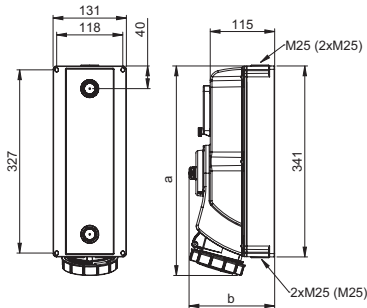
## Switched interlocked socket – wall mounting IP44

| Poles                            | 16 Amp  |      |      | 32 Amp |      |      |
|----------------------------------|---------|------|------|--------|------|------|
|                                  | 3       | 4    | 5    | 3      | 4    | 5    |
| a [mm]                           | 359     | 359  | 359  | 369    | 369  | 369  |
| b [mm]                           | 153     | 153  | 153  | 153    | 153  | 153  |
| M* [mm]                          | 3x25    | 3x25 | 3x25 | 3x25   | 3x25 | 3x25 |
| Wire flexible [mm <sup>2</sup> ] | 1,5-2,5 |      |      | 2,5-6  |      |      |
| Wire solid [mm <sup>2</sup> ]    | 1,5-4   |      |      | 2,5-10 |      |      |
| Weight [g]                       | 1454    | 1459 | 1505 | 1510   | 1523 | 1570 |

- with screw terminals
- housing material: PC/ABS
- contacts: nickel-plated contacts
- mechanical interlock
- top, bottom or rear entry
- incl. threaded bung
- with DIN-rail and hinged window for 5 modules

\* Option: M32 or closed

**IP44/54** splashproof



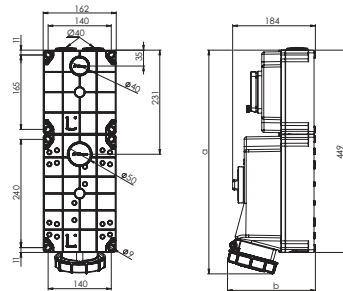
## Switched interlocked socket – wall mounting IP67

| Poles                            | 16 Amp  |      |      | 32 Amp |      |      |
|----------------------------------|---------|------|------|--------|------|------|
|                                  | 3       | 4    | 5    | 3      | 4    | 5    |
| a [mm]                           | 361     | 361  | 363  | 371    | 371  | 372  |
| b [mm]                           | 153     | 153  | 153  | 153    | 153  | 153  |
| M* [mm]                          | 3x25    | 3x25 | 3x25 | 3x25   | 3x25 | 3x25 |
| Wire flexible [mm <sup>2</sup> ] | 1,5-2,5 |      |      | 2,5-6  |      |      |
| Wire solid [mm <sup>2</sup> ]    | 1,5-4   |      |      | 2,5-10 |      |      |
| Weight [g]                       | 1489    | 1494 | 1540 | 1545   | 1557 | 1605 |

- with screw terminals
- housing material: PC/ABS
- contacts: nickel-plated contacts
- mechanical interlock
- top, bottom or rear entry
- incl. threaded bung
- with DIN-rail and hinged window for 5 modules

\* Option: M32 or closed

**IP66/67** watertight



## Switched interlocked socket – wall mounting IP67 POWER TWIST

| Poles                            | 63 Amp |      |      |
|----------------------------------|--------|------|------|
|                                  | 3      | 4    | 5    |
| a [mm]                           | 496    | 496  | 496  |
| b [mm]                           | 195    | 195  | 195  |
| Wire flexible [mm <sup>2</sup> ] | 6-16   |      |      |
| Wire solid [mm <sup>2</sup> ]    | 6-25   |      |      |
| Weight [g]                       | 2900   | 2975 | 3050 |

- contact frame with screws
- housing material: PC/ABS
- contacts: brass with lamellar contact CuBe
- mechanical interlock
- top, bottom or rear entry
- incl. threaded bung
- with DIN-rail and hinged window for 6 modules

**IP66/67** watertight

### Technical data to 16A and 32A version:

- like Series 75 ... but:
- large version with spring-loaded window for 5 modules
- integrated DIN-rail EN 50022 for standard fuses, e.g. MCBs, RCDs, etc. with cap-dimensions: 45 mm
- ready wired for connection up to DIN-rail

| Amp. | Poles | pack. unit | 110V~                | 230V~  | 400V~  | 500V~                | 440V~             |
|------|-------|------------|----------------------|--|--|----------------------|-------------------|
|      |       |            | 50/60Hz<br><b>4h</b> | 50/60Hz<br>3p= <b>6h</b><br>4p+5p= <b>9h</b> | 50/60Hz<br>3p= <b>9h</b><br>4p+5p= <b>6h</b> | 50/60Hz<br><b>7h</b> | 60Hz<br><b>3h</b> |
|      |       |            | Cat.No.              | Cat.No.                                      | Cat.No.                                      | Cat.No.              | Cat.No.           |
| 16   | 3     | 1          | 7613-4               | <b>7613-6</b>                                | 7613-9                                       |                      |                   |
| 16   | 4     | 1          | 7614-4               | 7614-9                                       | <b>7614-6</b>                                | 7614-7               |                   |
| 16   | 5     | 1          | 7615-4               | 7615-9                                       | <b>7615-6</b>                                | 7615-7               |                   |
| 32   | 3     | 1          | 7623-4               | <b>7623-6</b>                                | 7623-9                                       |                      |                   |
| 32   | 4     | 1          | 7624-4               | 7624-9                                       | <b>7624-6</b>                                | 7624-7               |                   |
| 32   | 5     | 1          | 7625-4               | 7625-9                                       | <b>7625-6</b>                                | 7625-7               |                   |



7625-6

|    |   |   |         |                |                |         |         |
|----|---|---|---------|----------------|----------------|---------|---------|
| 16 | 3 | 1 | 76132-4 | <b>76132-6</b> | 76132-9        |         |         |
| 16 | 4 | 1 | 76142-4 | 76142-9        | <b>76142-6</b> | 76142-7 |         |
| 16 | 5 | 1 | 76152-4 | 76152-9        | <b>76152-6</b> | 76152-7 |         |
| 32 | 3 | 1 | 76232-4 | <b>76232-6</b> | 76232-9        |         |         |
| 32 | 4 | 1 | 76242-4 | 76242-9        | <b>76242-6</b> | 76242-7 | 76242-3 |
| 32 | 5 | 1 | 76252-4 | 76252-9        | <b>76252-6</b> | 76252-7 |         |



76252-6

|    |   |   |         |                |                |         |
|----|---|---|---------|----------------|----------------|---------|
| 63 | 3 | 1 | 76332-4 | <b>76332-6</b> | 76332-9        | 76332-7 |
| 63 | 4 | 1 | 76342-4 | 76342-9        | <b>76342-6</b> | 76342-7 |
| 63 | 5 | 1 | 76352-4 | 76352-9        | <b>76352-6</b> | 76352-7 |



76352-6

### ■ ■ ■ Technical data to 63A version:

- like Series 75 ... but:
- window with 6 modules
- integrated DIN-rail EN 50022 for standard fuses, e.g. MCBs, RCDs, etc. with cap-diameters: 45mm
- ready wired for connection up to DIN-rail

