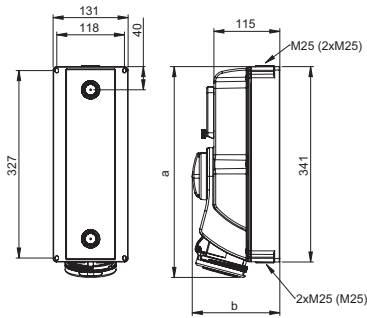


Switched interlocked sockets – with fuseholder / fuse

mechanical interlock, lockable by padlock



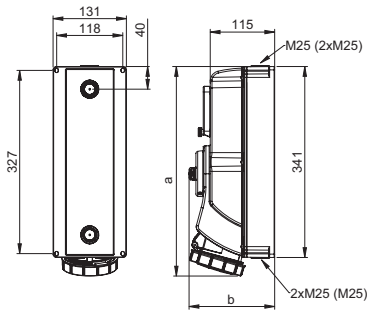
Switched interlocked socket – wall mounting IP44

Poles	16 Amp			32 Amp		
	3	4	5	3	4	5
a [mm]	359	359	359	369	369	369
b [mm]	153	153	153	153	153	153
M* [mm]	3x25	3x25	3x25	3x25	3x25	3x25
Wire flexible [mm ²]	1,5-2,5			2,5-6		
Wire solid [mm ²]	1,5-4			2,5-10		
Weight [g]	1789	1794	1840	1845	1858	1905

* Option: M32 or closed

- with screw terminals
- housing material: PC/ABS
- contacts: nickel-plated contacts
- mechanical interlock
- top, bottom or rear entry
- incl. threaded bung
- fuseholder for Neozed fuses (without fuses) ; > 400V cylindrical fuse 14x51 (inkl. fuses)

IP44/54 splashproof



Switched interlocked socket – wall mounting IP67

Poles	16 Amp			32 Amp		
	3	4	5	3	4	5
a [mm]	361	361	363	371	371	372
b [mm]	153	153	153	153	153	153
M* [mm]	3x25	3x25	3x25	3x25	3x25	3x25
Wire flexible [mm ²]	1,5-2,5			2,5-6		
Wire solid [mm ²]	1,5-4			2,5-10		
Weight [g]	1819	1824	1870	1875	1888	1935

* Option: M32 or closed

- with screw terminals
- housing material: PC/ABS
- contacts: nickel-plated contacts
- mechanical interlock
- top, bottom or rear entry
- incl. threaded bung
- fuseholder for Neozed fuses (without fuses) ; > 400V cylindrical fuse 14x51 (inkl. fuses)

IP66/67 watertight

■ ■ ■ Technical data to 16A and 32A version:

- like Series 76 ... but:
- with fuse:
 - for 16A and 32A: Neozed D01, D02; > 400V: cylindr. fuse 14x51
- ready wired

